

Assembly Instructions: 3168-FM11

IMPORTANT:

- ALL INSTALLATION WORK SHOULD BE DONE BY ACCREDITED PROFESSIONAL.
- SHUT OFF POWER SUPPLY AT FUSE OR CIRCUIT BREAKER!
- USE ONLY THE SPECIFIED BULBS. DO NOT EXCEED THE MAXIMUM WATTAGE!

For Customer Service, please contact the place of purchase.

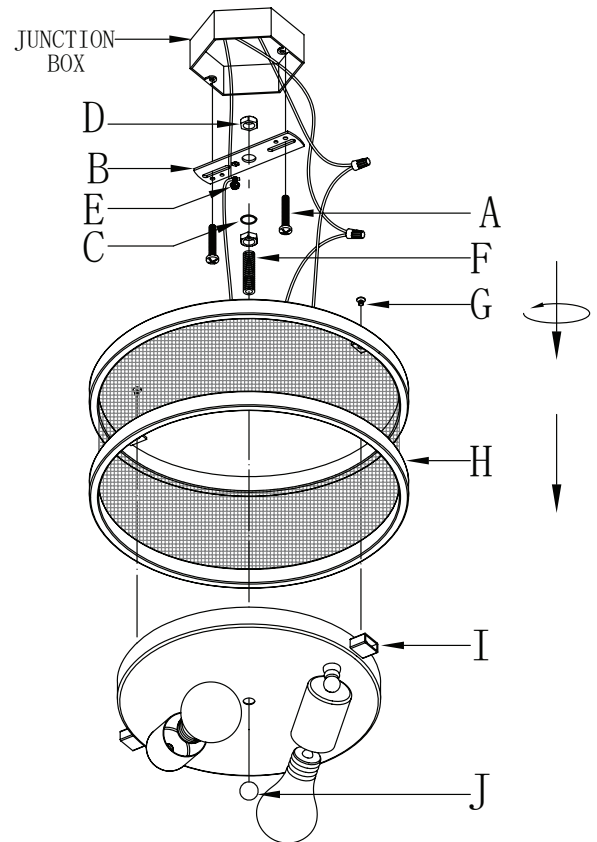
PREPARING FOR INSTALLATION

Remove all of the contents from the carton. See the important notes above. Shut off the power at the circuit breaker and completely remove the old fixture from the ceiling, including the old mounting strap.

1. From the parts bag remove the mounting strap assembly. Mounting screws (A) should be attached to mounting strap (B). The other end of the mounting strap (B) should have nipple (F), washer (C), and hex nuts (D) attached.
2. Attach mounting strap (B) to the existing junction box using mounting screws (A) and a screwdriver. Tighten securely.
3. Test ceiling pan (I) against the mounting strap to check the height of the fixture. Nipple (F) should protrude from the hole in the center of ceiling pan (I). Half of the threads on nipple (F) should be exposed. Thread deco nut (J) onto the exposed threads of nipple (F). The canopy should be snug against the mounting strap and junction box. If not, remove the deco nut and canopy and adjust the height of nipple (F). Once you are satisfied, remove deco nut (J). Set the canopy aside for later. Pull house wires through the center of the mounting strap (B).

CONNECTING THE WIRES

4. Have an assistant support the weight of the fixture while completing the wiring. Cut away excess wire. Attach the fixture's wires to the house wires from the junction box. Connect Hot to Hot (this is the black, transparent wire with black inner thread, or smooth wire), Neutral to Neutral (the neutral wire is the white, transparent wire with white inner thread, or the ribbed wire), and Ground to Ground (the green, transparent wire with green inner thread, or the copper wire). Twist the ends of each wire pair together. Secure each connection with a wire connector (usually orange). Make sure all twists are in the same direction. If there is no house ground wire coming from the junction box, please locate ground screw (E) on the mounting bracket/mounting bracket (B) and wrap the fixture's ground wire around ground screw (E). Use a screwdriver to tighten the top of ground screw (E) onto the wires and into the mounting bracket/mounting bracket. Tuck the wires into the junction box.



How to Identify the Fixture's Wires		
Hot	Neutral	Ground
Smooth	Ribbed	Bare Metal, Green, or Green Inner Thread
Black	White	
Black Inner Thread	White Inner Thread	

FINISHING THE INSTALLATION

5. Use screws (G) to secure shade (H) to ceiling pan (I) through the holes in the tabs at the top of the shade and canopy
6. Push ceiling pan (I) up against mounting strap (B) so that nipple (F) protrudes through the hole in the center of ceiling pan (I).
7. Tightly thread decorative nut (J) onto the exposed threads of nipple (F) to secure ceiling pan (I) in place.
8. Install light bulbs (not provided) in accordance with the fixture's specifications. Do not exceed the max recommended wattage.

Your installation is now complete. Turn on the power and test the fixture.

CLEANING TIPS

Treat the fixture gently! Regular cleaning will reduce the need for deep cleaning. For regular cleaning, turn off the light and wipe down the fixture with a clean lint-free cotton or microfiber cloth. Never spray cleaner directly onto the fixture.

